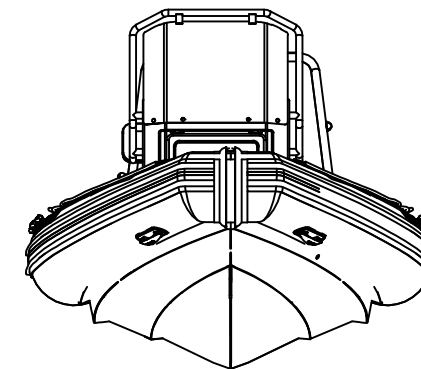
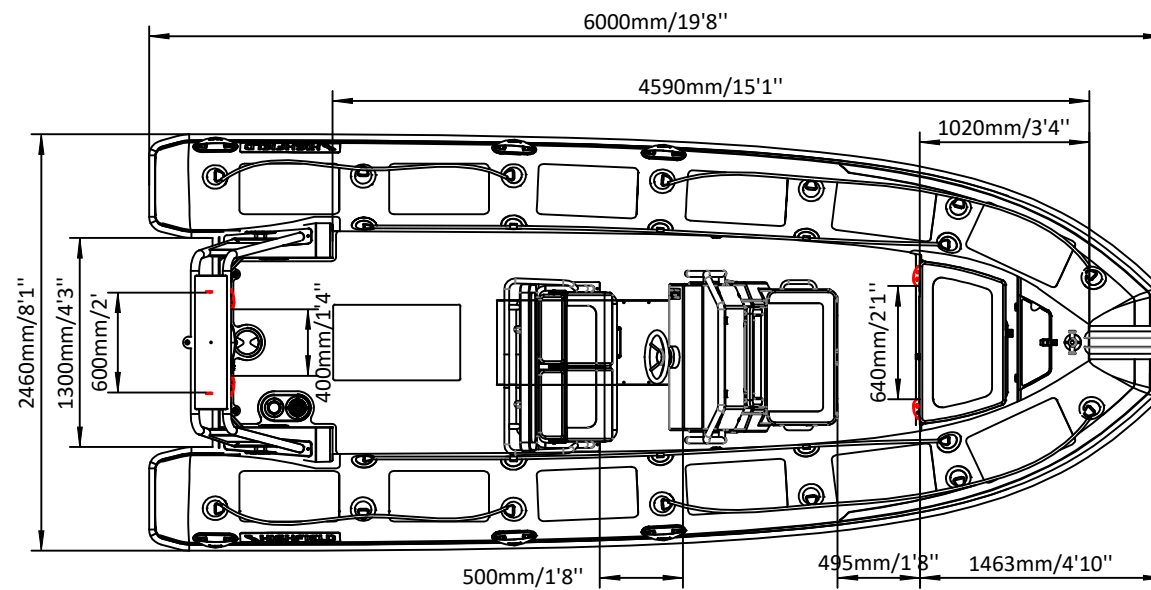
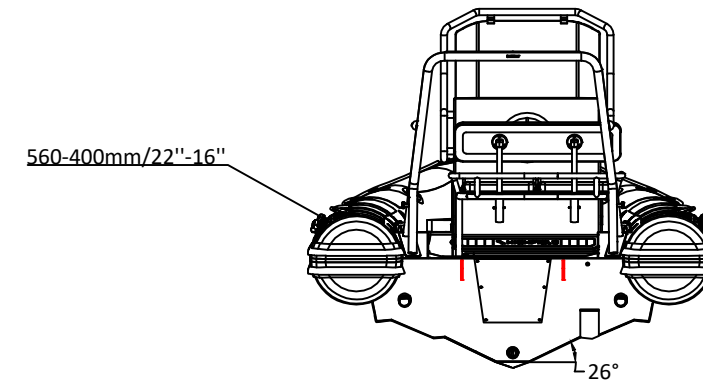
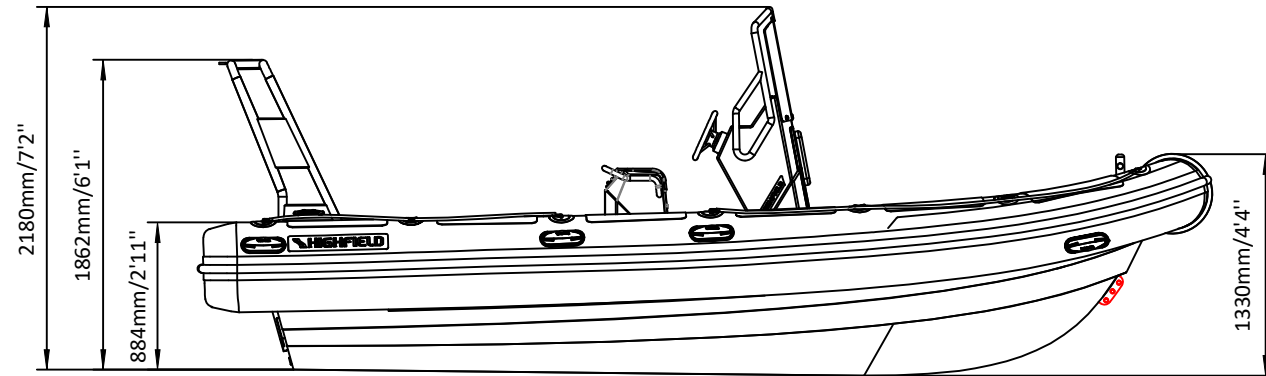


PATROL 600N

SPECIFICATIONS



SPECIFICATIONS AND MAXIMUM CAPACITIES (Subject to change without notice. Tolerances: dimensions ±2.5%, weights ±5%)

| MODEL | ISO 6185 PART | ISO 6185 | | | # | | | Outboard Engine | Shaft | Water box | | Rollbar | | Tow post | | Fuel tank Capacity | | Wet Weight (Approximate) 100HP (74.6KW) +Fuel | | AIR CHAMBERS | | | | | | | |
|----------|---------------|----------|-----------------|------------------|----|------------------|------------------|---------------------|-----------|---------------|-------|-------------|-----|--------------|----|------------------------|------|---|----|------------------|-----|-----|--------|--------|---|------|------|
| | | | KG | LB | | KG | LB | | | KG | LB | KG | LB | KG | LB | L | GAL | KG | LB | | PSI | BAR | | | | | |
| | | | Max power KW | Max weight HP | | Max weight KG | Max weight LB | | | KG | LB | KG | LB | KG | LB | KG | LB | KG | LB | | KG | LB | PSI | BAR | | | |
| PA600 ON | 3 | C | 1458 | 3214 | 14 | 1050 | 2315 | XL | 111.9 | 150 | 260.7 | 575 | 694 | 1530 | / | / | 16.5 | 36.4 | / | / | 140 | 37 | 1056.2 | 2328.5 | 6 | 3.63 | 0.25 |

Boat weight includes: console, seat